

Kitset maimai specifications and tips

Base: 2.4m x 1.8m.

If you need a base then 100x50mm framing topped with 150mmx20mm H3 tanalised timber is ideal. This can be positioned on piles or bearers and will act as a platform for the rest of the maimai. 10mm gaps between boards will help mud escape. Any wider and it will let 12g cartridges escape too!

Cheapest option is to use 100x50 fence railings and 1.8m fence pailings which are already cut to length

Sides: 2.4m long x 1.5 high.

4 sheets of 12mm ply is all that's required. Any spare bits of ply will be required elsewhere so don't discard! These are screwed (or nailed) onto 50mmx75mm framing.

There should be a 90mm overhang of ply at the front end or the sides to allow for screwing this to the front panel

Again, cheapest option for timber is 50mmx75mm fence railings. Ask for tanalised ply but undressed both sides. It doesn't need to be flash.

Front 0.9m high x 1.470 wide

Front panel is easy to build and a little narrower to allow for the sides to overlap.

Back 1.8m wide x 1.5m tall

The back is ply and timber similar to sides. The top and bottom plate should be recessed in 90mm at each end to allow for the fixing onto the sides.

Roof 1.9m wide by 1.5m deep

The roof is designed to fit snugly over the walls and back after they have been erected. 75mmx50mm timber is strong enough.

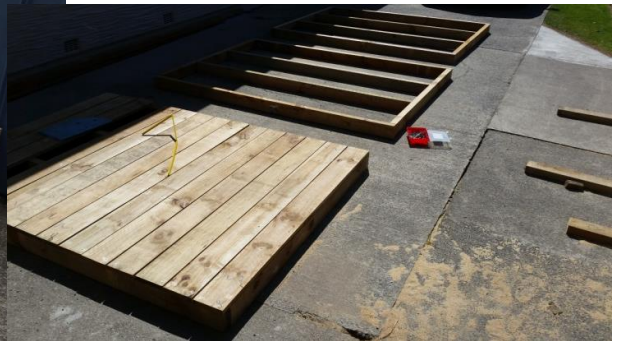
Three sheets of 1.8m length iron are required. Ask for fencing seconds to get the best price or use some second hand iron. Galv springheads to fix roofing to the frame is ideal.

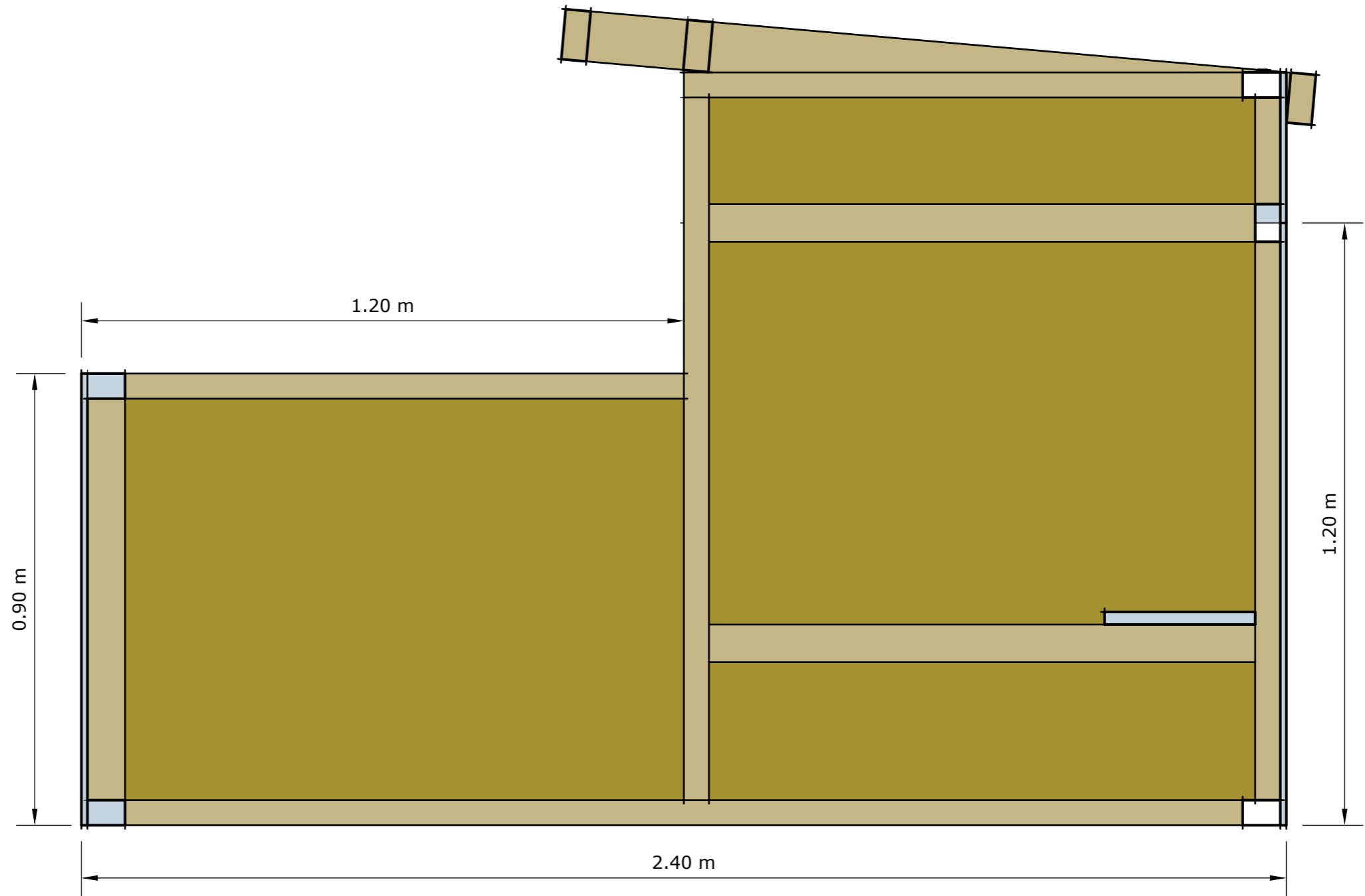
Construction

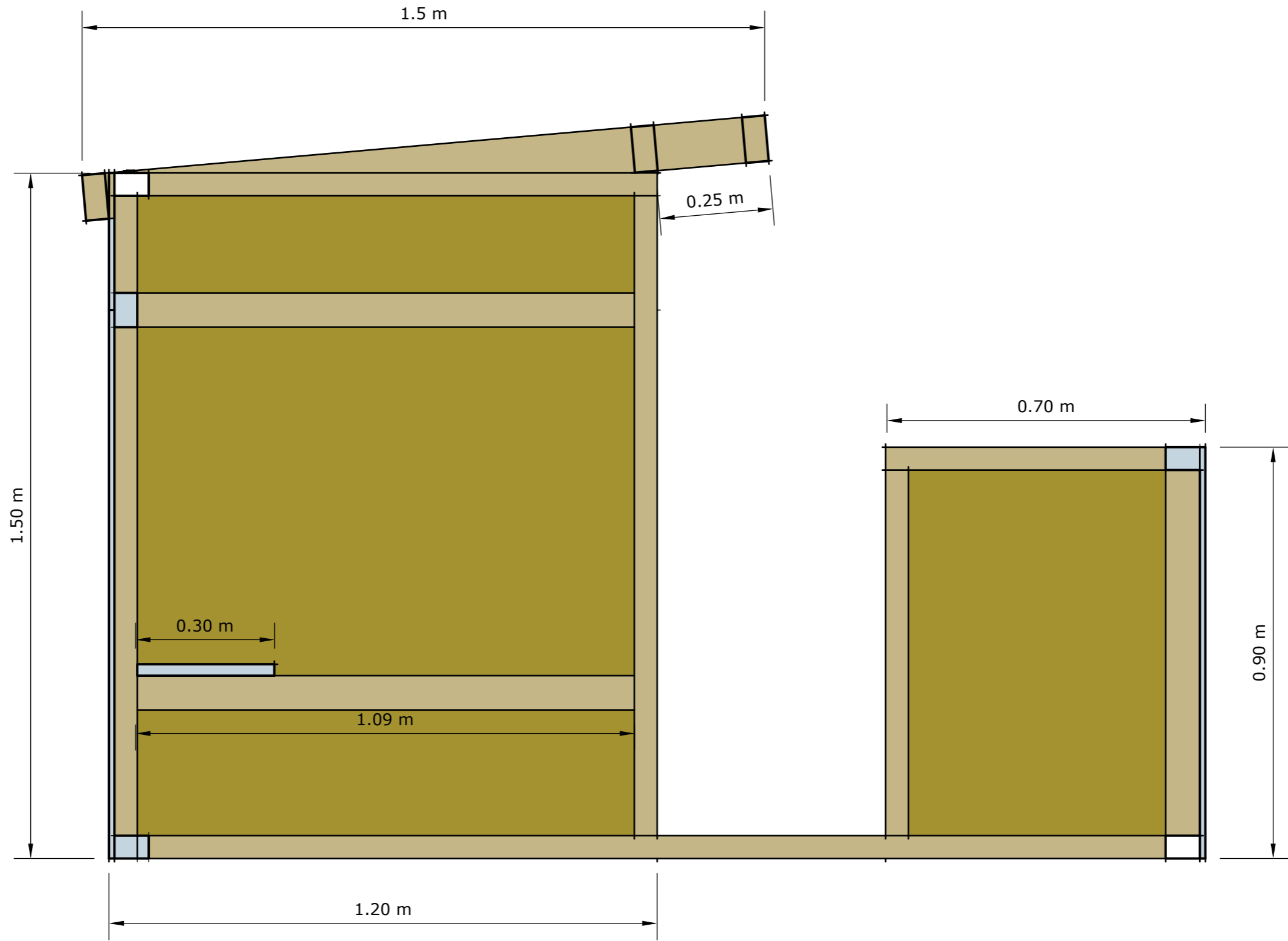
Lay base level on bearers or piles. Stand up the front panel and fix the sides to it with screws. Install the back in the same way. Lower the roof on so that the middle purlin sits on the front edge of the side panel. The back will overhang but it should fit snugly over the sides. Fix the roof down with 100mm nails into the top plate where possible. Nail or coach screw the bottom plate to the floor.

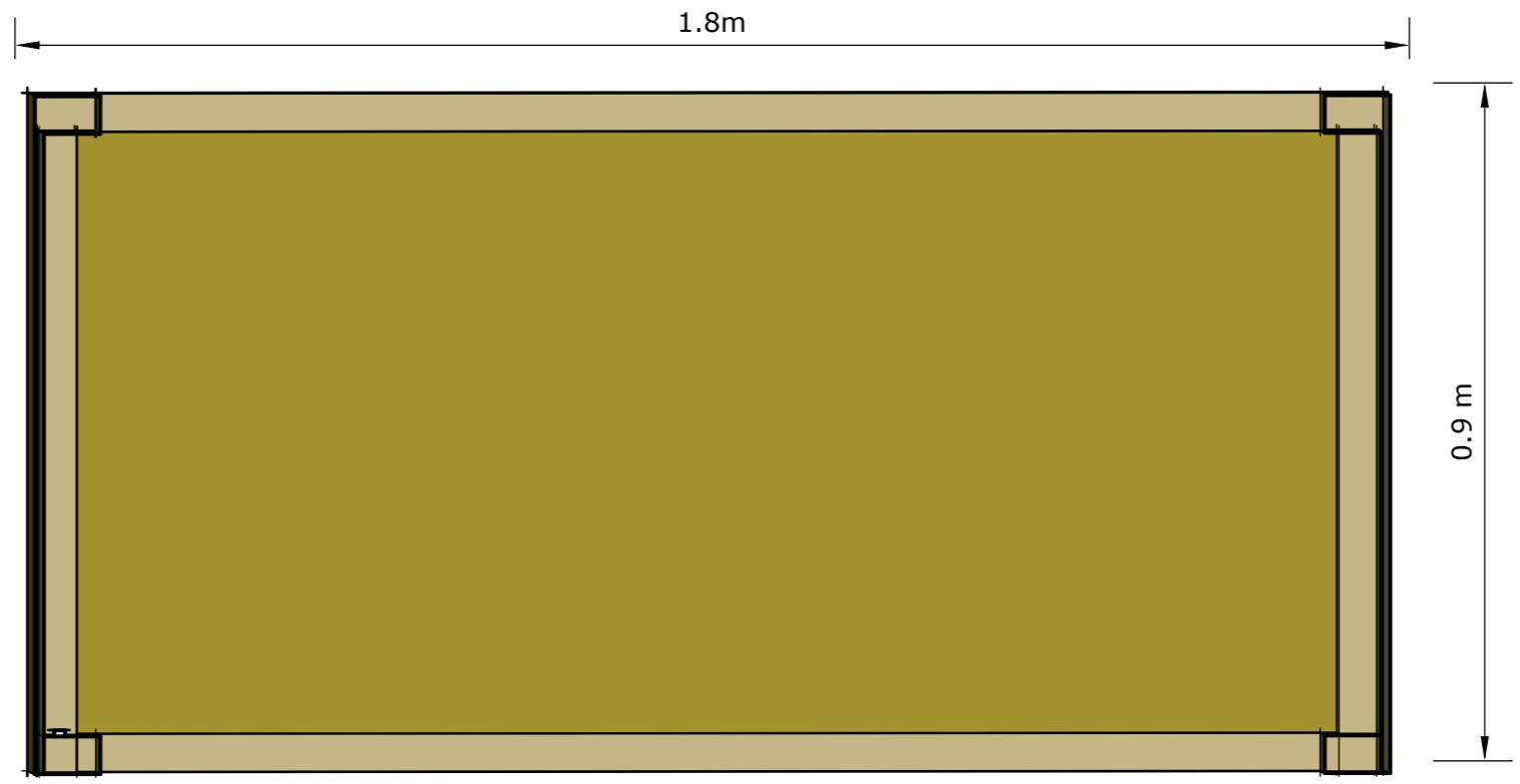
Wrap with sheep netting and scrub generously for best effect.

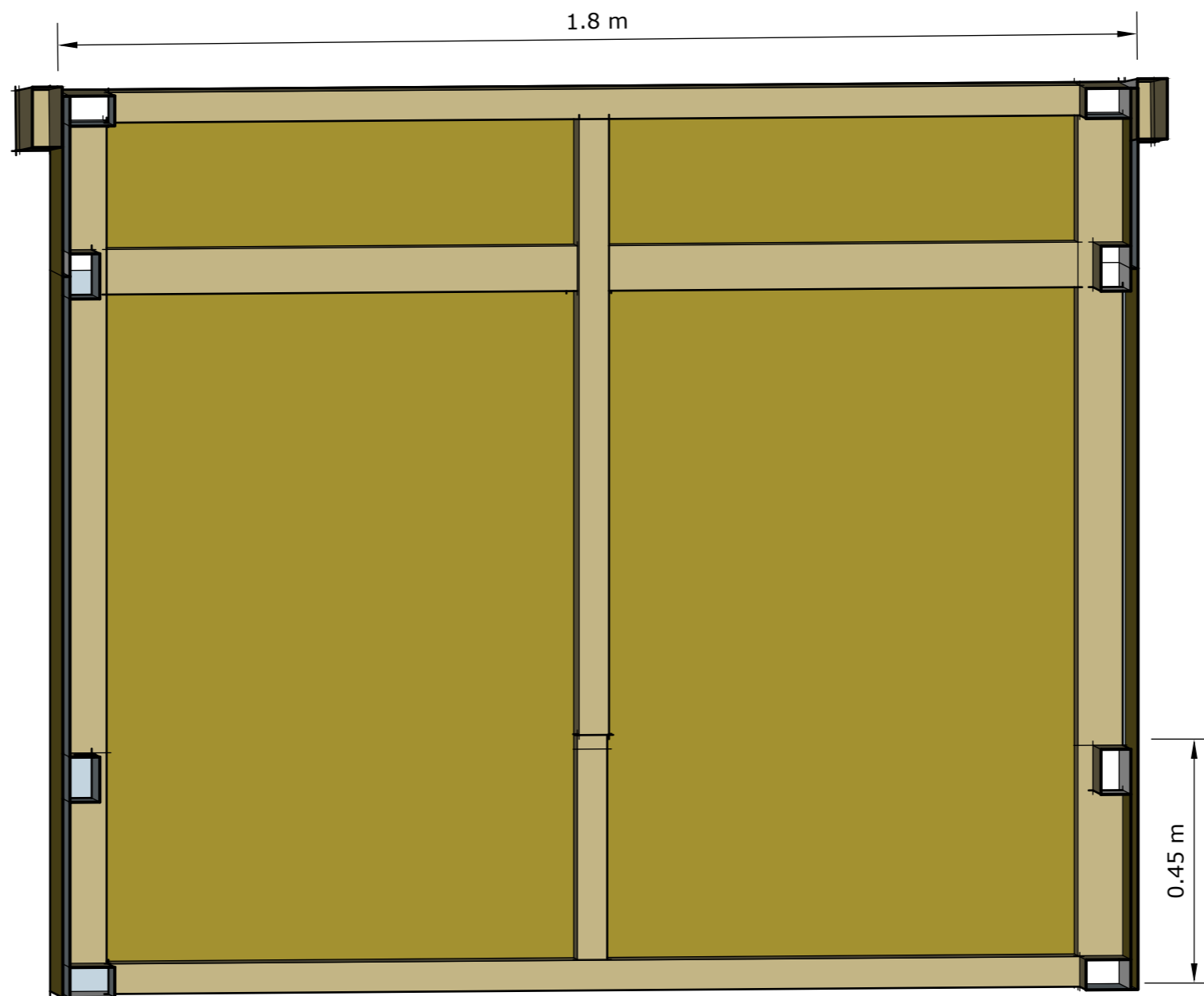


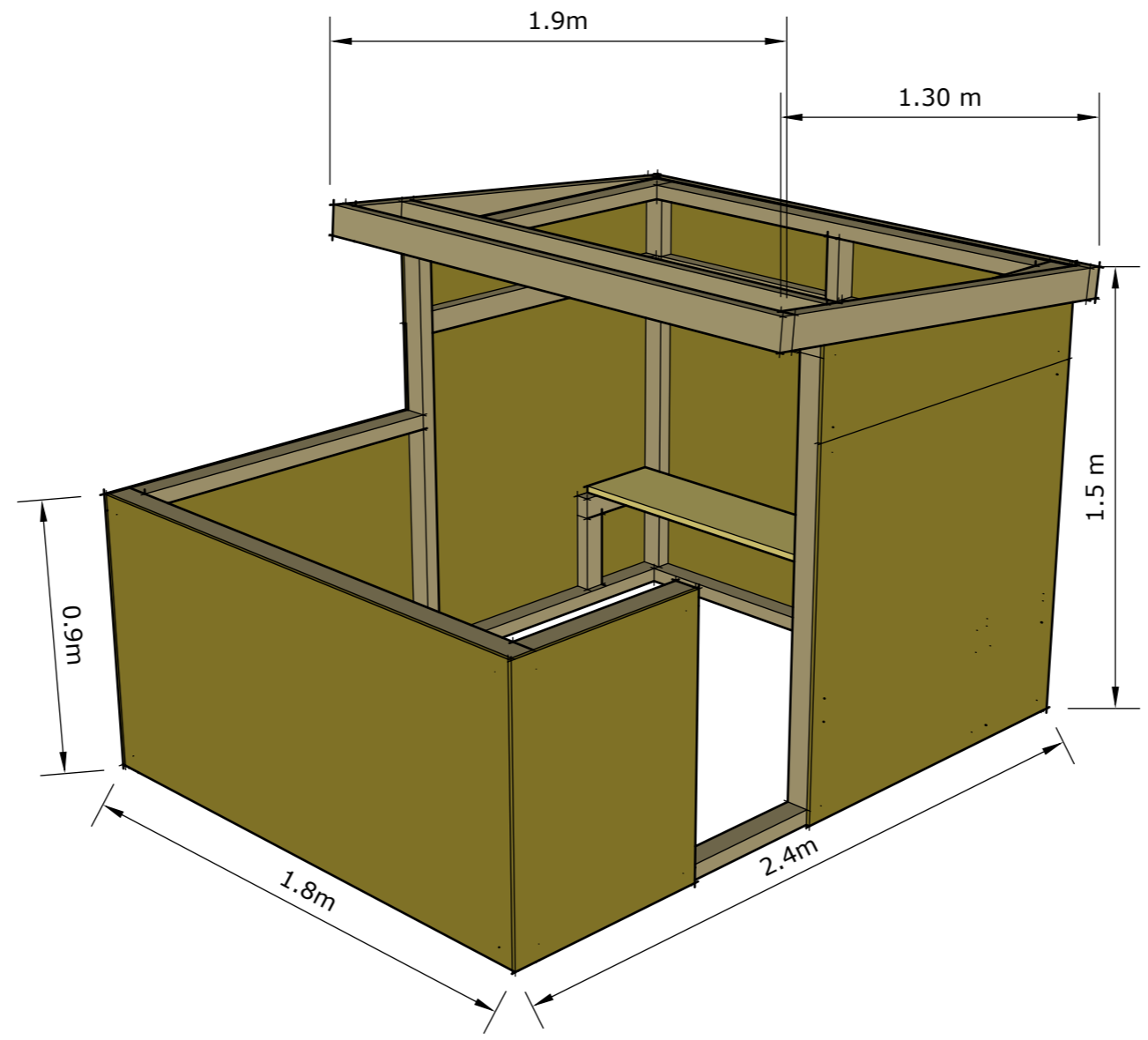












Maimai Timber

		75x50	Total		100x50	Total		150x25	Total
Floor	Front/back				2	1.7	3.4	1.8m Pailings	15
	Sides				2	2.4	4.8		
	Centre Bearers				2	2.3	4.6		
Back	Top & bottom plate	2	1.63	3.26					
	centre stud	1	1.4	1.4					
	Lap Join	2	0.76	1.52					
Front	Top & bottom plate	2	1.776	3.552					
	ends	2	0.8	1.6					
Door side	Top Plate	1	1.2	1.2					
	Bottom Plate	1	2.3	2.3					
	studs	2	1.4	2.8					
	Lap Join	1	1.1	1.1					
	door upright	1	0.8	0.8					
	Door top rail	1	0.62	0.62					
Other Side	Top Plate	1	1.2	1.2					
	Bottom Plate	1	2.3	2.3					
	studs	2	1.4	2.8					
	Lap Join	1	1.1	1.1					
	top rail	1	1.2	1.2					
Roof	Front/back	2	1.9	3.8					
	Sides	2	1.4	2.8					
	Mid rail	1	1.8	1.8					
Seat							1.8m pailings	2	
Total		75x50mm	37.152	100x50mm	12.8	1.8m pailings	17		

Extra

4 sheets of 12mm H3 non structural ply

4 short posts

2x H4 200x50@2m for bearers

Screws

Nails

3 sheets of Iron @1.8m (fencing downgrade)